

CYL-4000/M 1.0μM Multimode Group Continuous Fiber Laser

PRODUCT FEATURE AND SPECIFICATIONS:



- High wall plug efficiency, greatly reduce power consumption
- Strong capability on resisting high-reflective, suitable for different materials processing.
 - Remote real-time monitoring.
 - High lifetime, high safety and reliability.
- Can achieve personalized customization.
 - Excellent after-sales service system.
 - Excellent cost performance
 - Laser cutting.
 - Laser welding.
 - Laser cladding.
 - Laser brazing.
 - Laser thermolizing.

CINA LASER's CYL-4000/M 1.0μm multimode group continuous fiber laser, adopts latest industry technology and the optimization design, with high electro-optical conversion efficiency, high lifetime, high safety and reliability. The unit with high-quality output beam and strong capability on resisting high-reflective, can be widely used in all kinds of materials of laser cutting, welding, punching, 3D printing and other high-end smart manufacturing.

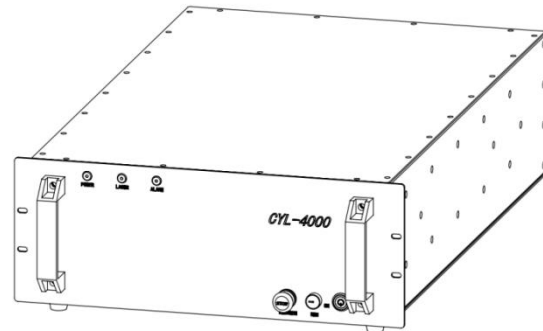
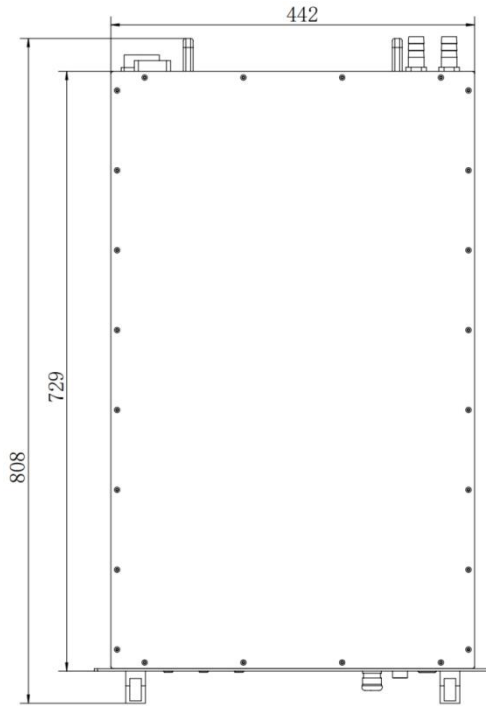
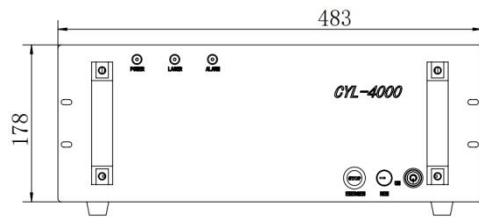
CINA LASER, which is based on Internet technology, established a scientific after-sales service system. Each device has a unique identity code (the internal storage of original technology and material information). Can achieve remote online real-time monitoring; can provide users with equipment fault early warning and efficient technical support and good after-sales service.

CINA LASER products with high quality, high reliability and excellent cost performance, can meet the requirements of the customer diversification and personalized customization. It also with good after-sales service, is the ideal choice for system integrates and equipment manufacturers.

Specification						
Parameter	Unit	Min.	Typ.	Max.	Supplement	
Central Wavelength	(nm)		1080			
Spectral Bandwidth	(nm)			5		3dB
Output Optical Power	(W)		4000			
Power ADJ. Range	(%)	10		100		
Output Power Stability	(%)		-1 -2	1 2		100% continuous > 1h 100% continuous > 24h
Beam Quality	(M ²)	10	11	13		100um
Modulation Frequency.	(KHz)	20		20~50		
Glow Power	(mW)	0.3		1.0		
Output Connector				QBH		
Output Fiber Core-Diameter	(μm)		100			
Output Fiber Length	(m)		15			Customize
Output Fiber Bending Radius	(mm)	200				
Working Mode				Continuous modulation		
Polarization State				Random		Random
Telecommunication Port				RS232 / AD / Super terminal		
Remote Telecommunication				APP		Customize
Power Supply	(V)	340	380	420		Three phase five wire
Power Consumption	(KW)		11			
Cooling Method				Water-cooling		Circumscribed
Coolant Temp.	(°C)	21		25		
Coolant Flow	(L/min)		40			
Working Environment Temp.	(°C)	10		40		
Working Environment Humidity	(%)	10		85		
Storage Temp.	(°C)	-10		60		
Dimension	(mm)		808*483*178			(W)x(D)x(H)
Weight	(kg)		90			
Structure				Machine cabinet		

CYL-4000/M 1.0μM Multimode Group Continuous Fiber Laser

> DIMENSIONS



> ORDER INFORMATION

C Y L - □ □ □ □ / M - Q B H - □ □ □ / □ □

C	Continuous wave	Y	YDF 1.0 μm	Optical fiber laser	Output powers		Mode group		Output connector		Output fiber core-diameter		Fiber length	
					4000	4000W	M	Multi-mode	QBH	QBH	050	50/360	15	15m
P	Puls	E	EDF EYDF 1.5 μm						LOC	LOC	100	100/360	20	20m
									QCS	QCS	150	150/360	XX	Customize
											200	200/360		
											030	30/400		
											020	20/400		