

## CYL-3000/S 1.0μM Single-Mode Group Continuous Fiber Laser

### › PRODUCT FEATURE AND SPECIFICATIONS:



- High wall plug efficiency, greatly reduce power consumption
- Strong capability on resisting high-reflective, suitable for different materials processing.
- Remote real-time monitoring.
- High lifetime, high safety and reliability.
- Can achieve personalized customization.
- Excellent after-sales service system.
- Excellent cost performance

- Laser cutting.
- Laser welding.
- Laser cladding.
- Laser brazing.
- Laser thermolizing.

CINA LASER's CYL-3000/S 1.0μm single-mode group continuous fiber laser, adopts latest industry technology and the optimization design, with high electro-optical conversion efficiency, high lifetime, high safety and reliability. The unit with high-quality output beam and strong capability on resisting high-reflective, can be widely used in all kinds of materials of laser cutting, welding, punching, 3D printing and other high-end smart manufacturing.

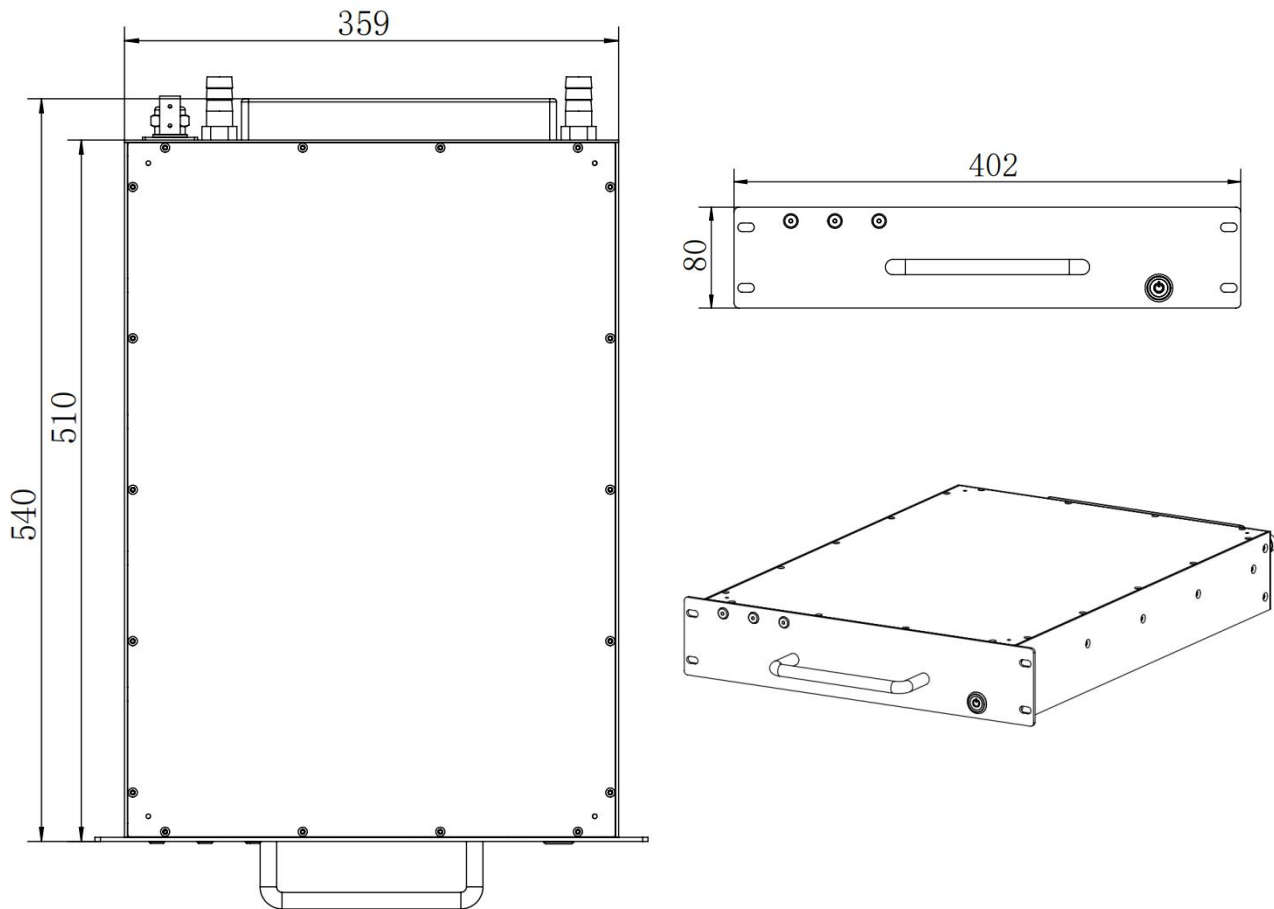
CINA LASER, which is based on Internet technology, established a scientific after-sales service system. Each device has a unique identity code (the internal storage of original technology and material information). Can achieve remote online real-time monitoring; can provide users with equipment fault early warning and efficient technical support and good after-sales service.

CINA LASER's products with high quality, high reliability and excellent cost performance, can meet the requirements of the customer diversification and personalized customization. It also with good after-sales service, is the ideal choice for system integrates and equipment manufacturers.

Performance	Unit	Min.	Typ.	Max.	Remarks
Central Wavelength	(nm)	1070	1080	1090	
Spectral Bandwidth	(nm)		3	5	-3dB
Output Optical Power	(W)		3000		
Short Time Power Stability	(%)		±1		
Long Time Power Stability	(%)		±2		
Laser Opening Time	(μs)		50~100		
Laser Shutdown Time	(μs)		100~200		
Power Regulation Range	(%)	10		100	
Beam Quality	(M2)			1.8	QBH-50
				3.6	QBH-100
Fiber Numerical Aperture (NA) Half Angle	(rad)			0.22	QBH-50、100
Modulation Frequency	(KHz)	5		20	100% output
Red Light Power	(mW)	5		60	
Output Connector			QBH		
Output Fiber Core Diameter	(μm)		50	100	Customizable
Output Fiber Length	(m)		10	15	Customizable
Output Cable Bending Radius	(mm)	200			
Work Model			Continuous/modulation		CW/Modulate
State Of Polarization			Random		Random
Communication Interface			RS232/AD /Super terminal		
Remote Communication			APP		Customizable
Power Supply	(V)		220		
Power Consumption	(KW)			3.0	220 V, Single-phase three-wire
Cooling Mode			Water cooling		External
Cooling Water Temperature	(°C)	21		25	
Cooling Water Flow	(L/min)		10		
Working Ambient Temperature	(°C)	10		40	
Working Environment Humidity	(%)	10		85	
Storage Temperature	(°C)	-10		60	
Structure				Rack	
Weight/Dimensions	(kg)	28.5		(W)×(L) with Handle)×(H) (mm)	402 (359)×540×80

## CYL-3000/S 1.0μM Single-Mode Group Continuous Fiber Laser

### > DIMENSIONS



### > ORDER INFORMATION

C
Y
L
-
 
 
 
 
/
S
-
Q
B
H
-
 
 
 
/
 
 

C	CW	Y	YDF 1.0μm	Fiber laser	Output power		Mode		Output connector		Output fiber core diameter		Fiber length	
					500	500W	S	Single	QBH	QBH	20	20/400	15	15m
Q	QCW	E	EDF EYDF 1.5μm		1000	1000W	M	Multi	LOC	LOC	25	25/400	20	20m
					1500	1500W	H	Anti-high reflection	QCS	QCS	50	50/360	XX	Custom izable
2000	2000W	100	100/360											
3000	3000W	150	150/360											
P	PULSE													

**DANGER - INVISIBLE LASER  
RADIATION AVOID EYE OR SKIN  
EXPOSURE TO DIRECT OR  
SCATTERED RADIATION  
CLASS 4 LASER PRODUCT**